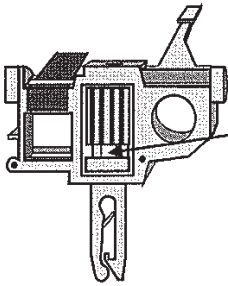
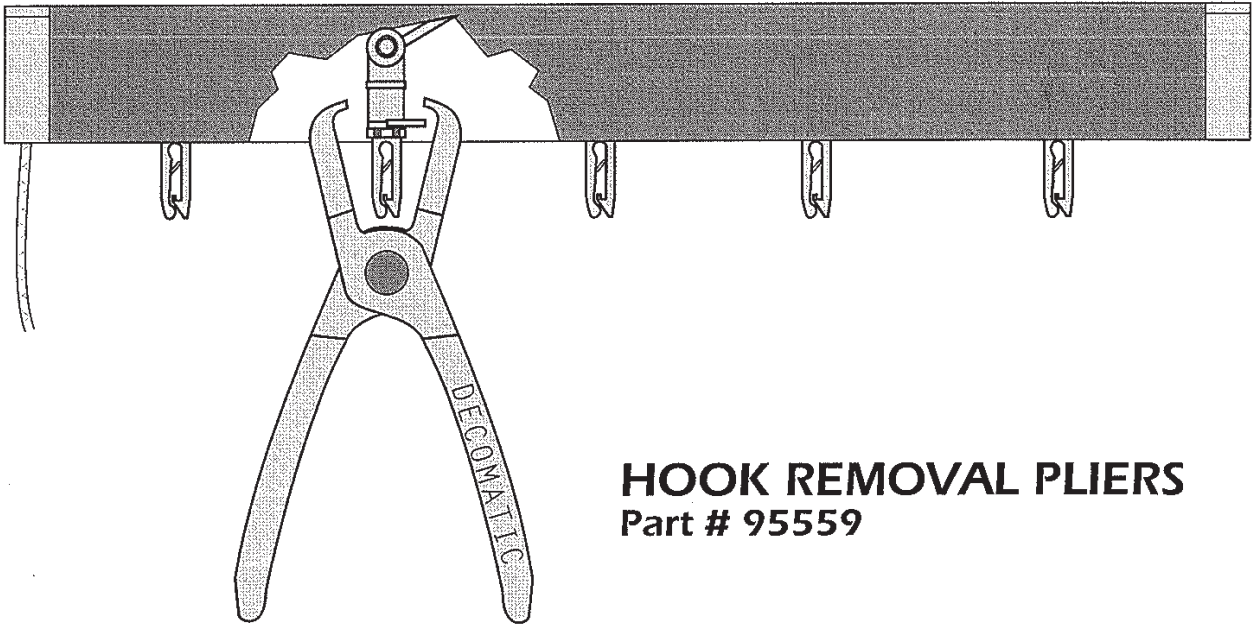


# HOOK REMOVAL INSTRUCTIONS



1. Rotate vanes to the open position.
2. Compress clear area in grey area in grey gear with hook removal pliers.
3. Install hook as shown in diagram below.



## HOOK REMOVAL PLIERS Part # 95559

### HOOK INSTALLATION

Insert hook into the gear so that the tab on the hook is in line with the groove in the gear. Press firmly into the gear - until the hook locks.

NOTE: Do not attempt to reuse any hooks.

